



User Manual | C150 Series

[Touch / RF Tag / Key (3Way Model only)]

- Please read the manual thoroughly in order to secure your safety and to use the product properly.
- Please use the RF Tag which is provided with door lock.
- If you use the RF Tag which is not provided with door lock, it may occur security problem.



- Premium Design Smart & Premium Design
- Fire-proof
- Electric Shock & Static Proof
- Passcode Hide

MEMO

Introduction	
Safety Information	04
Parts	04
Components name	05
Basic Functions	
How to register passcode	05
How to register RF Tag	06
How to delete RF Tag	06
How to open door from inside	06
How to open door from outside	07
Additional Functions	
Outside force-lock function by passcode	07
Etiquette mode function	07
Inside force-lock/release function	07
Passcode hide function	08
High temperature alert function	08
Intrusion alert function	08
Prank Prevention function	08
Deadbolt jamming alert function	08
Auto/Manual lock setting	09
Volume control function	09
Low battery alert function	09
Door open alert function	09
How to change batteries	09
Opening door with emergency battery	10
Register & delete function of master passcode/RF Tag	10
Incapacitation function of usual user's passcode and RF Tag	11
Wireless communication module Registration (Optional Product)	11
Remote controller Registration (Optional Product)	11
Checklist before calling for service	12
Specifications	12

Features

- OPEN/CLOSE function**
 - Door open by entering passcode
 - Door open by RF Tag / Door open by emergency key
 - Door open by inside handle (Anti panic release function)
- Outside force-lock function**
 - Outside force-lock by passcode
- Auto close/Manual close setting function**
 - Setting auto close/manual close by switch
- Inside force-lock function**
 - Inside force-lock by program
- Others**
 - Etiquette mode, High temperature alert, Intrusion alert, Passcode hide, Prank prevention, Reset, Master management, Low battery alert, Auto re-lock, Door open alert

Safety Information

- This section contains user safety information. Please read carefully and use it properly.

- Warning** If not followed, user can be dead or seriously injured.
- Caution** If not followed, user can be injured or property damage can be caused.

- Do not remove**
 - You should not remove any installed parts from the door. If you need to do so for any reason, please contact service center and consult.
 - It can cause product malfunction or operation malfunction.
- Do not spray water to the door lock or install it where it is exposed to water or damp.**
 - door lock is not water proof, thus water exposure can cause malfunctioning.
- Do not install where it is exposed to snow or rain. Due to the extreme temperature difference of indoor and outdoor, it can cause dampening the door lock. Please use it after it dries.**
 - It can cause product malfunction or operation malfunction.
- Make sure the door lock is properly installed and read manual for proper functioning.**
 - It can cause product malfunction or operation malfunction.

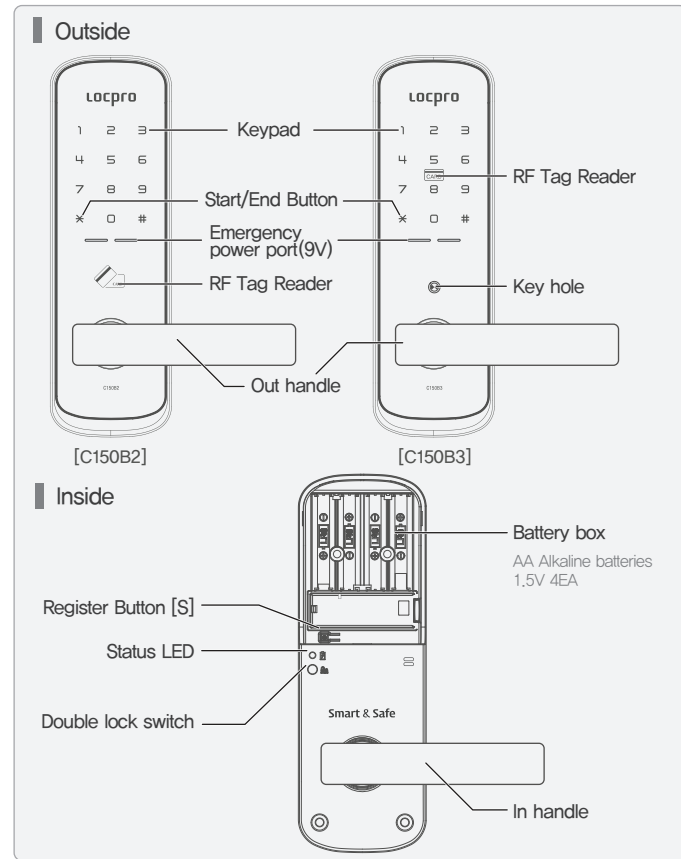
Parts



Installation manual, User manual(1)
Emergency key (3Way Model Only)
Remote Control (Optional Device)
Wireless Communication Module (Optional Device)

*Types and quantity of RF Tag and emergency key can be changed according to a specification.

Components name



Basic Functions

How to register passcode

- Open battery cover and press register Button [S].
- Input desired passcode.
Passcode can be set 4~13 digits.
- Press * Button to complete the procedure.
You will hear buzzer melody from door lock.

- When register mode is canceled, previous passcode is kept.
- When more than 14 digits are entered, it will not be registered.
- When less than 4 digits are entered, it will not be registered.
- When a new set of passcode is registered, existing passcode is deleted.
- While entering passcode, registration is canceled when there is no action for 60 seconds.

*** Please make sure whether the new passcode works or not before you close the door.**

Basic Functions

How to register RF Tag

- Open battery cover and press register Button [S].
- Place RF Tag on RF Tag reader.
You may register up to 50 RF Tags.
Repeat the process consecutively if you have more RF Tags to register.
- Press register Button [S] to complete the procedure.

- When registration mode is canceled, existing RF Tag is kept.
- When 50 consecutive tags are registered, registration is completed automatically.
- When error occurs during the process, start over by pressing register button.
- Registration is canceled when there is no action for 60 seconds.
- You can not register the same RF Tag twice.
- When a new RF Tag registered, existing RF Tag is deleted.

How to delete RF Tag

- Open battery cover and press set Button [S].
- Press 0 Button on the keypad.
- Press set Button [S] to complete.

- If lost RF Tag, register new RF Tag after deleting all existing RF Tag information in system.
- When canceled, existing RF Tag is kept.
- Delete mode is canceled when there is no action for 60 seconds.

How to open door from inside

Press down the inside handle to open while locked.

- Auto lock is activated when the door is not opened within 7 seconds.
- When outside force-lock is set, opening the door will set off intrusion buzzer alarm.
- When childproof function is set, childproof function is deactivated.

*** This is to open the door in an emergency.**

