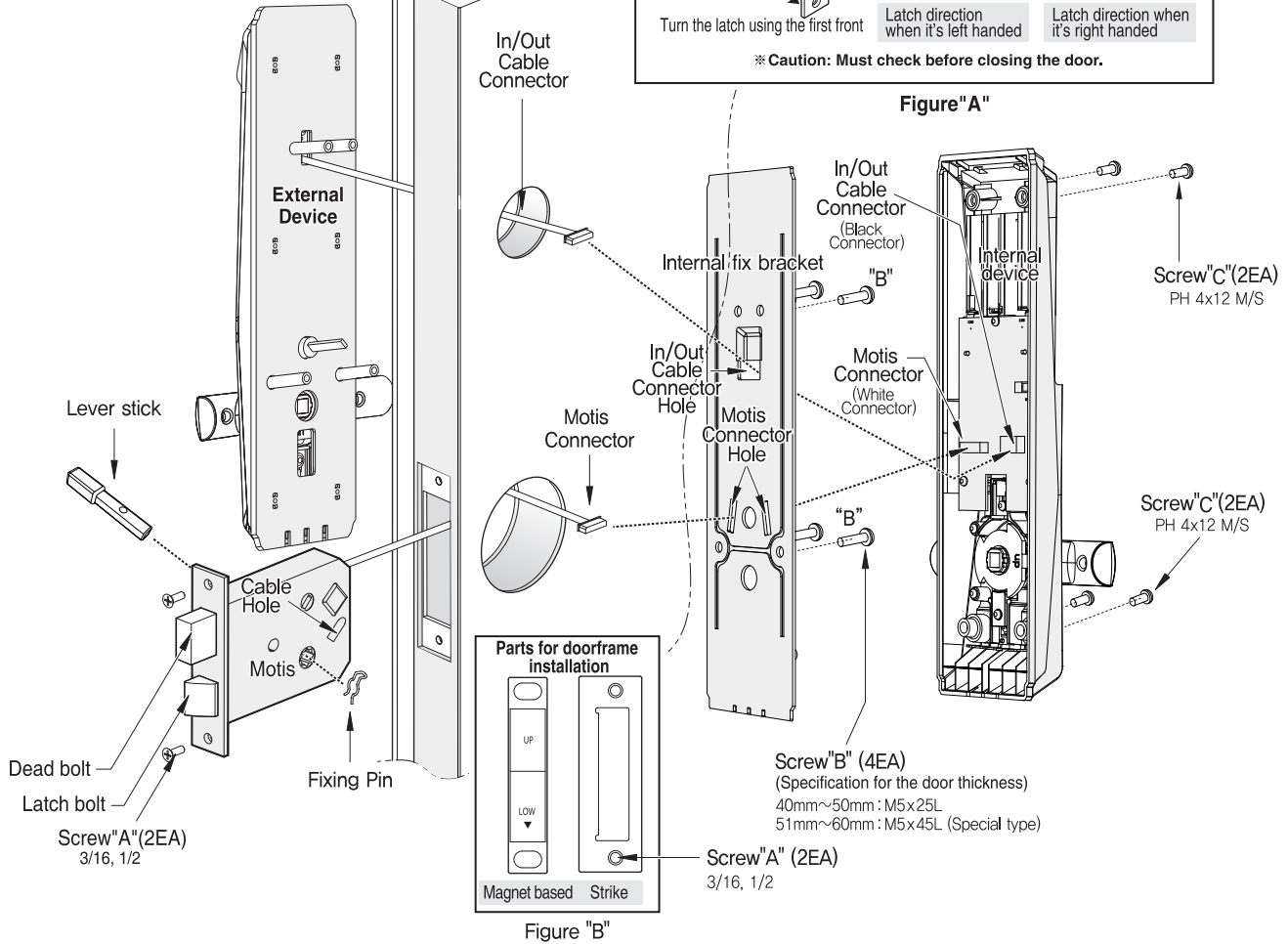
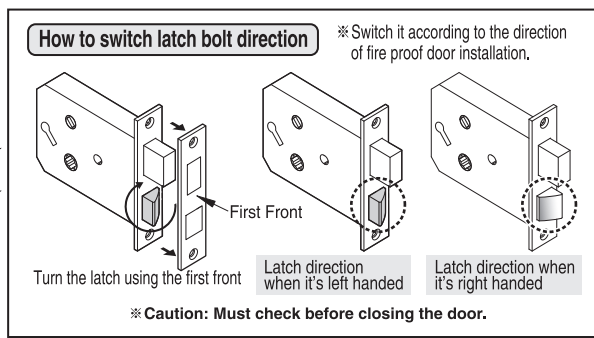


Installation Manual



Installation Method

Drilling

1. Remove existing door lock, and place the installation manual after folding it 90° along the dotted folding line on to where the new door lock will be installed. You can purchase a separate plate to cover the remaining holes from the previous door lock.
2. With the manual on the door mark where it needs to be drilled. Do it inside/outside the door using the same method.
3. Puncture a hole with a hole cutter where marked. (For both inside and outside. Be careful when drilling from one side since it maybe off centered from going from one side to another)

Product Installation

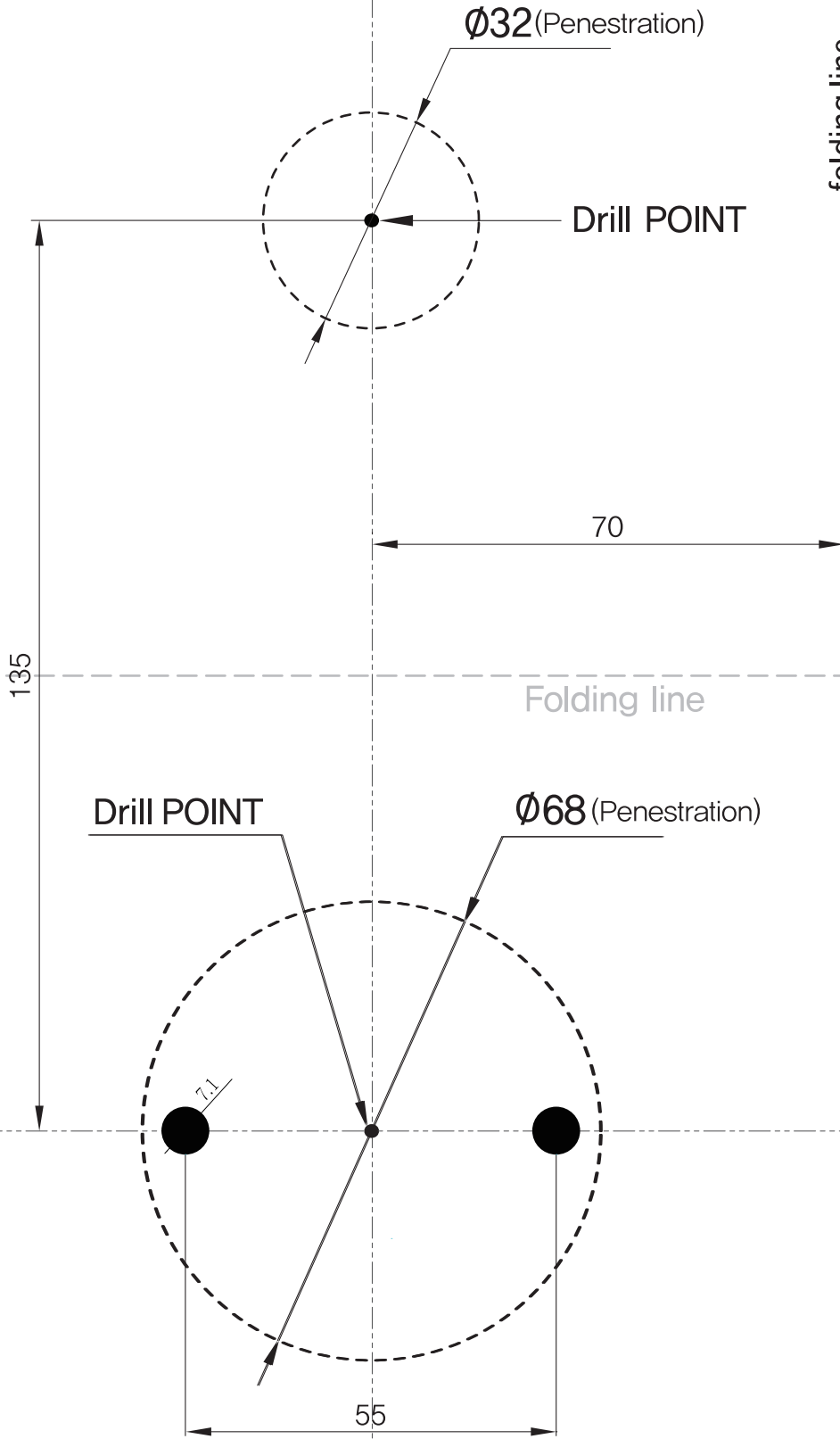
1. In accordance with door direction, adjust latch bolt left/right with deadbolt facing upward. Refer to the Figure "A" for instruction on how to switch direction for latch bolt on Motis.
2. Install Motis with screw "A" as shown on the figure above. Make sure that Motis/Internal device connecting cable is cleared through inside the door first.
3. Insert the lever stick from outside to inside. Please make sure that you should insert the Fixing Pin.
4. Adjust out handle direction to right-handed or left-handed. Pass the In/Out cable through the drill hole.
5. Engage internal fix bracket and external device using 4EA of screw "B". Install screw after pass In/Out cable and mortis cable through the drill hole.
6. Connect In/Out cable and motis cable to internal device. Connect In/Out cable to In/Out cable connector. Connect motis cable to motis connector. Be careful not to remove cable from the connector.
7. Engage internal device with internal fix bracket using screw "C". You need to remove the battery cover in order to engage screw "C". Close the battery cover after inserting 4EA AA 1.5V batteries.
8. Install magnet base and strike respectively with screw "A" onto the doorframe.
9. Insert 1.5V AA alkaline batteries. Product installation is complete.

Installation Checklist

1. Refer to User's Manual to register or set different features and open/close the door more than three times to see if the product functions properly.

⚠ Caution
Folding line may not be aligned to the external door corner because of the doorframe.

Fold this line and align it to the door corner.
folding line



Fold this line and align it to the door corner.
folding line

⚠ Caution
Folding line may not be aligned to the external door corner because of the doorframe.

Installation Manual based on door thickness of 40mm.