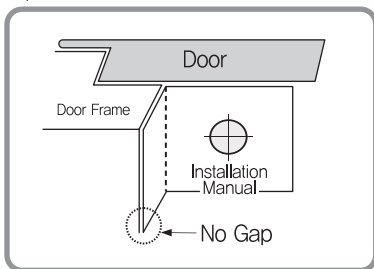


Folding line(90°)
Fold this line and align it to the door corner.

Installation Method

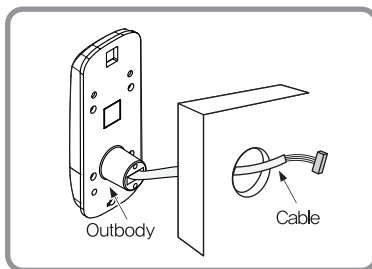
① Place the installation manual after folding it 90° along the dotted folding line on to where the new door lock will be installed. (Point to check : 8 points for screw, 1 point for drill)

※ Close the door and place the installation manual on the door closely so that you can mark the correct position.



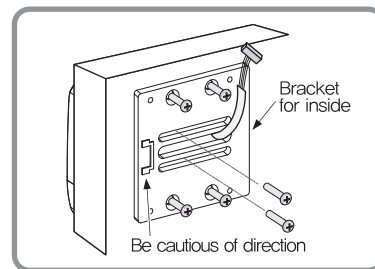
② In case that there is not the hole for the door lock, drill the hole of diameter 32–35mm.

※ Fixate the Outbody and cable through the hole.



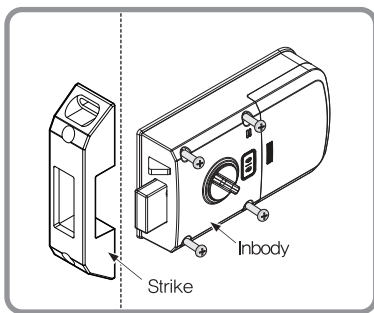
③ Pull out the cable through the hole of the bracket for inside and fix 4 points with screws.

④ Fix the outbody with 2 of screws on the bracket for inside.



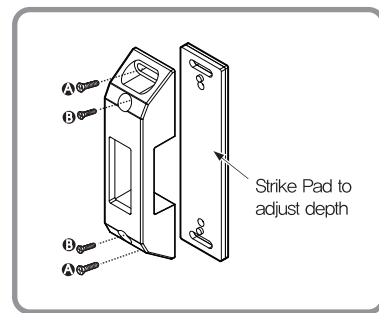
⑤ Connect the cable with the inbody and fix inbody with 4 of screws on the bracket for inside.

※ Match the sensor position of inbody and the sensor of strike.



⑥ Install the strike on the door frame inside.

※ Fix **A** of the strike first, Adjust it for deadbolt to go into the strike right and fix **B**.



Installation Checklist

1. Insert 1.5V AA alkaline batteries. Refer to User's Manual to register passcode, open/close the door to see if the product functions work properly.

2. Check the operation of Manual Lever and open/close button.

3. Close the door and check if the deadbolt go into the strike properly. Make sure that the distance between the strike and inbody is less than 5mm.

※ Factory Default Passcode is "1234".