

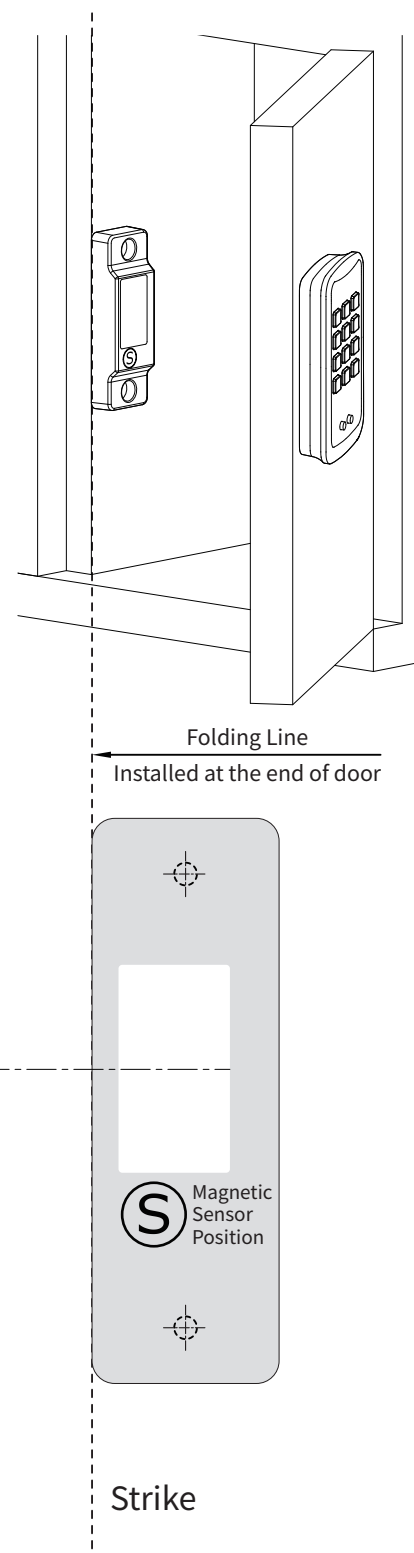
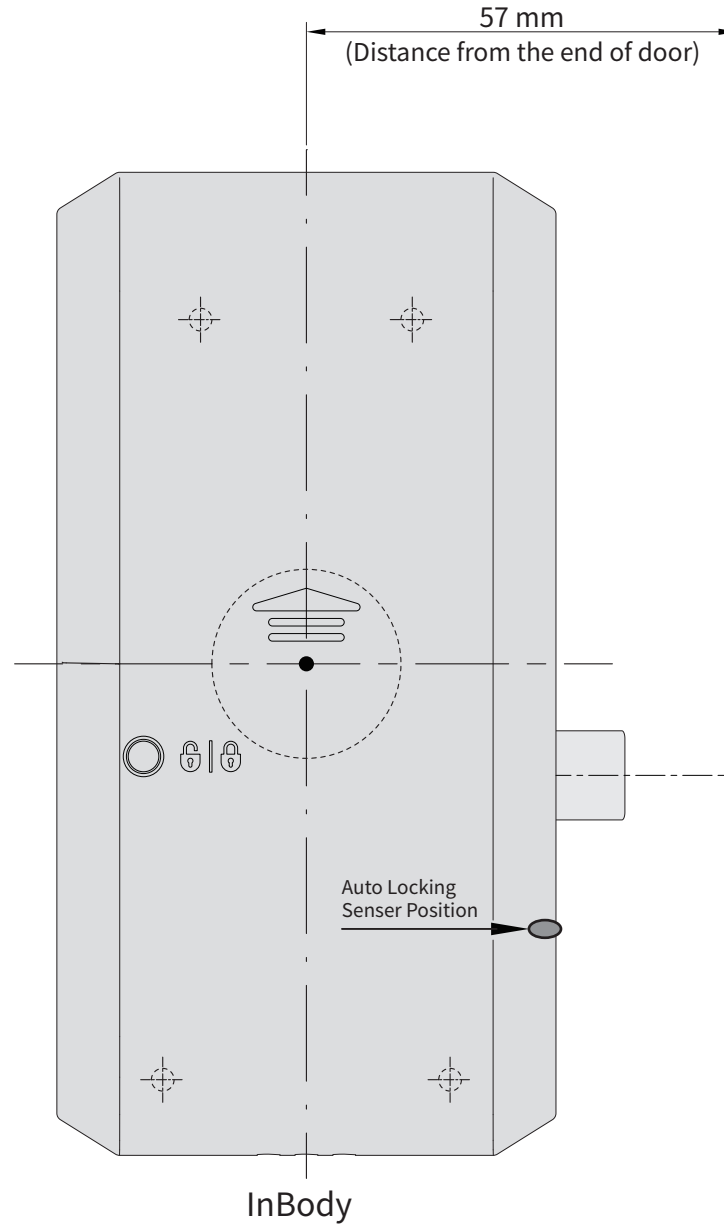
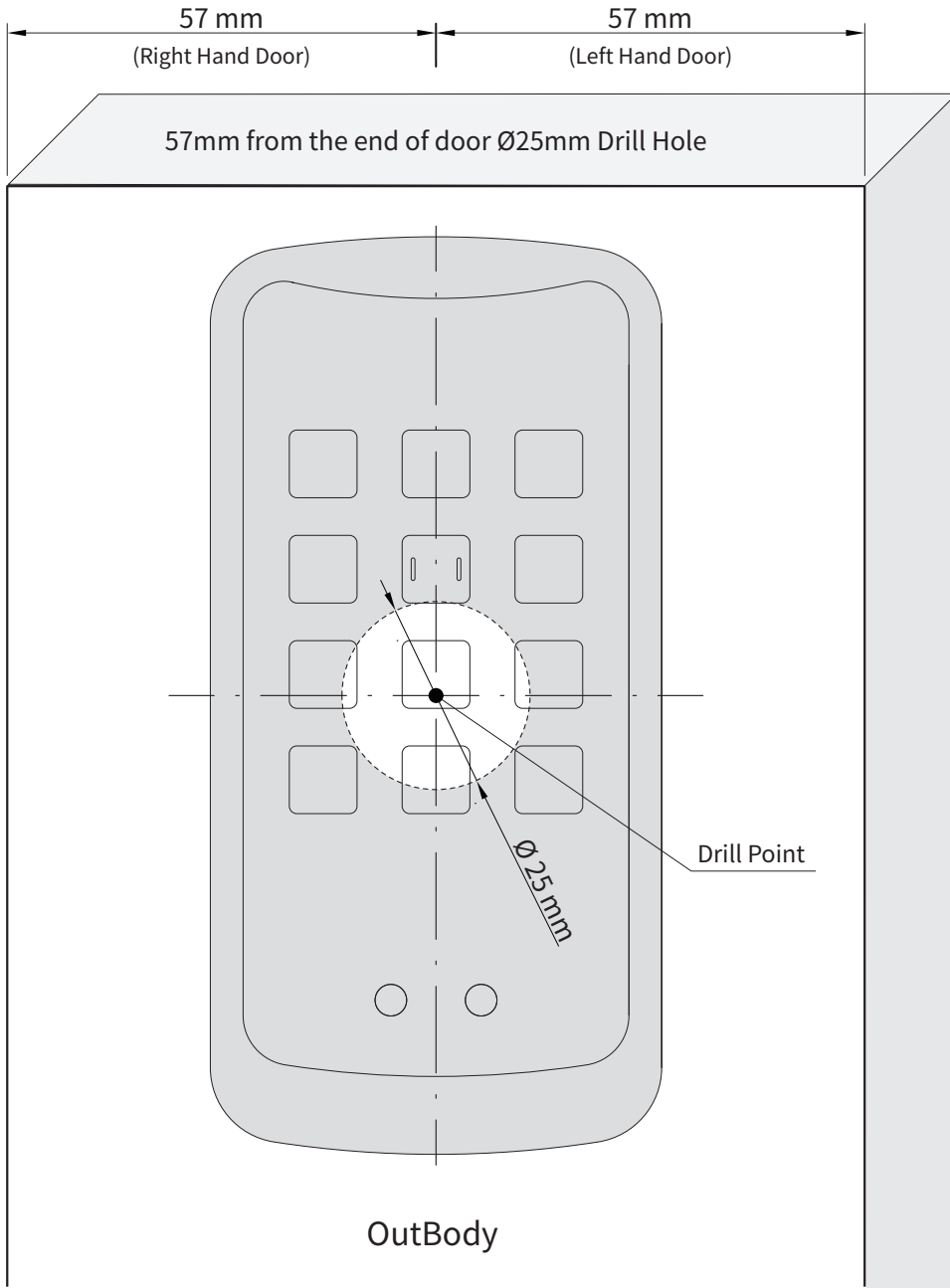
# Quick Installation Guide

## Single Door

### ⚠ Caution

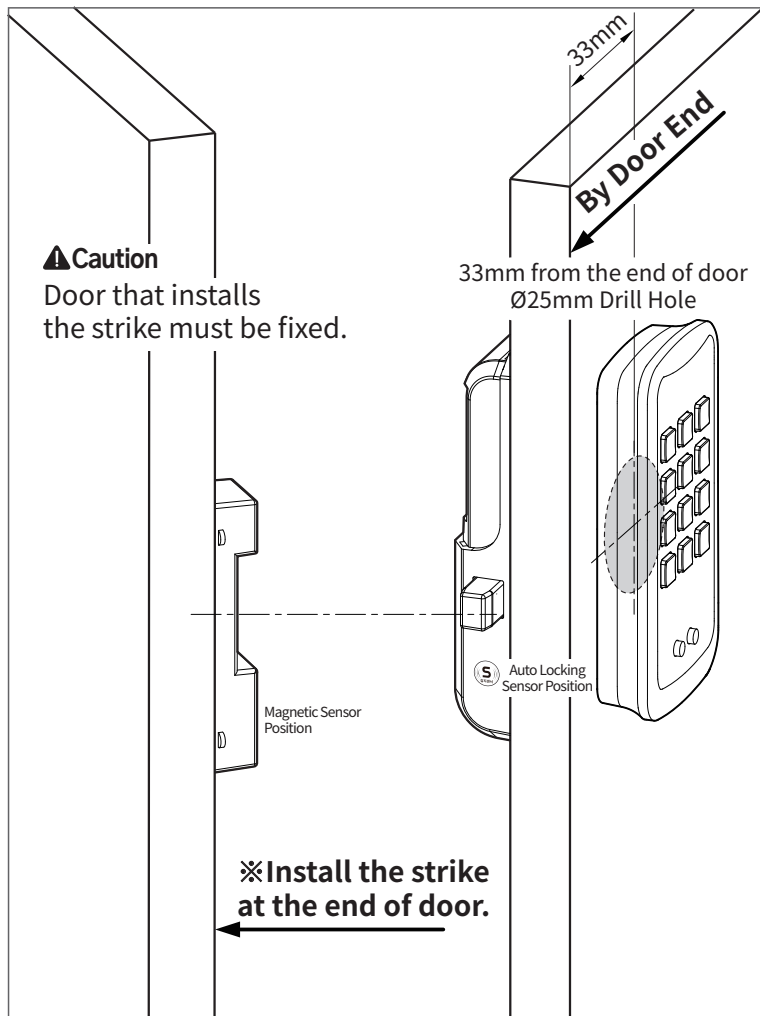
This is for New Installation.

In case that you replace the existing other lock, location of product or strike might be changed.



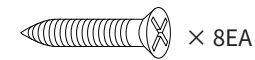
# Quick Installation Guide

## Double Door



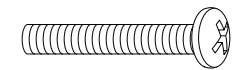
- ※ Strike for single door and Strike for double door have different shapes.
- ※ When installing double door, install Inbody and Strike at the end of each door.

### Parts



× 8EA

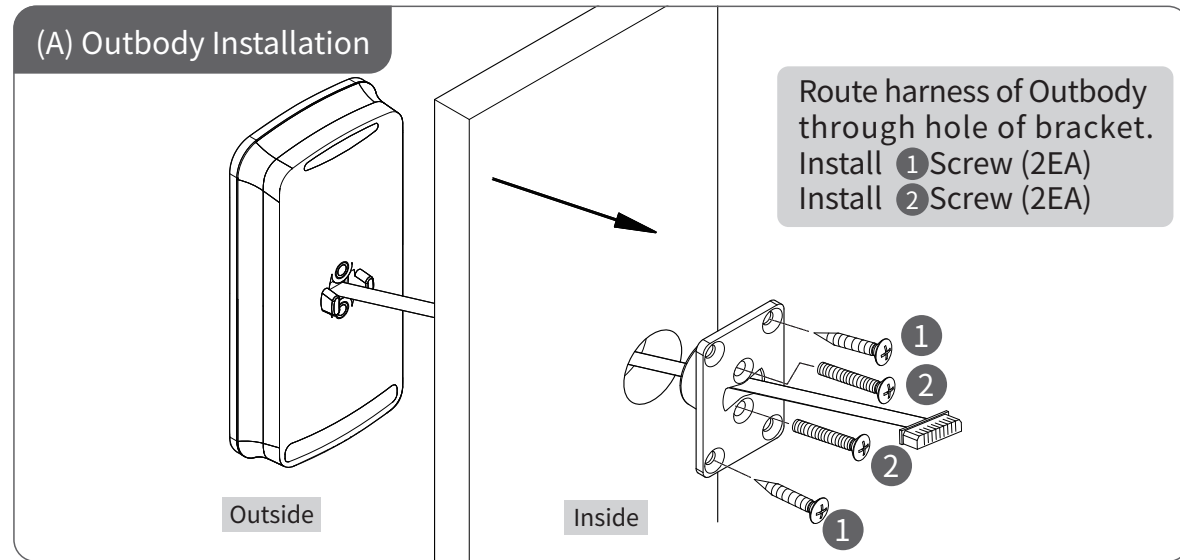
① Screw for wood (FH+T/S-1 3.5×20)



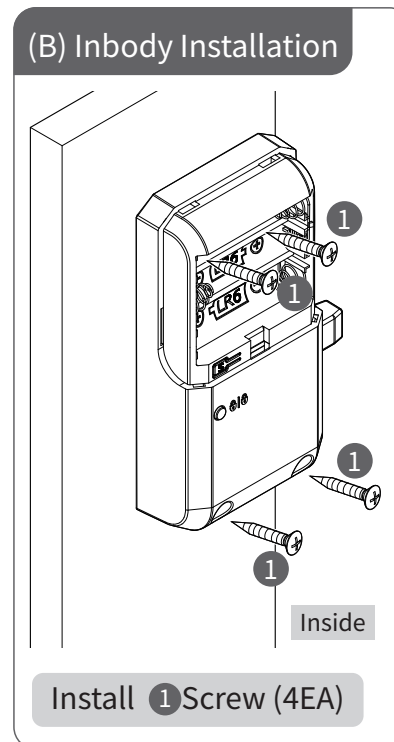
× 2EA

② Screw (PH M4×25)

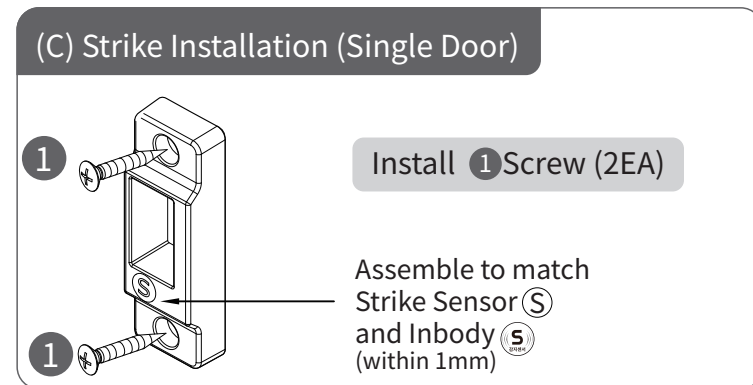
### (A) Outbody Installation



### (B) Inbody Installation



### (C) Strike Installation (Single Door)



### (D) Installation Checklist

1. Please make sure that Deadbolt moves into Strike when door closes.
2. Refer to User's Manual to register or set functions and open/close door more than 3 times to see if lock works properly.

- ※ Installation Parts are for 15~20mm thickness wood door only.
- ※ You should use the supplied screws only.